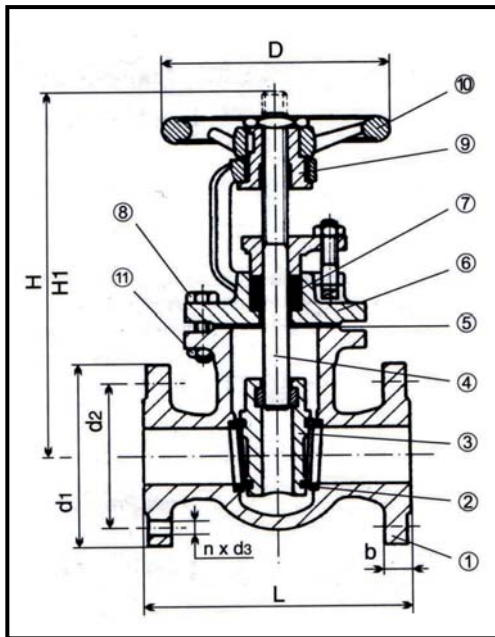


YOKE GATE VALVES



APPLICATION

These gate valves with rising stem are used at installation for water, steam, gas, petroleum products or for other similar products with low corrosive action, except hydrogen, hydrogen and hydrocarbons mixes, and aggressive agents containing sulphur, hydrogen sulphide ect.

PN / DN / EXECUTIONS / TEMPERATURES

PN 6	DN 40÷300	S14 111 606 to 200°C - Flat body
PN 10	DN 40÷300	S35 111 610 to 200°C - Flat body

FUNCTION AND CONSTRUCTIVE

- Type: bolted bonnet
- Solid wedge
- Body type: Flat body
- Rising stem, outside screw and yoke, unrotative
- The sealing surface at passage section: inserted or directly processed seats on body or wedge (cast iron/cast iron seating)
- Mounting position: doesn't matter
- Shutting-off: by rotating the handwheel in clockwise direction
- Seats rings: brass/brass

ALLOWABLE PRESSURES AND TEMPERATURES

TYPES	DN	TEMPERATURE [°C]			
		120	200		
		Max. operating overpressure [bar]			
S14 111 606	40÷300	6	5		
S35 111 610	40÷300	10	8		

MATERIAL AND CONNECTION

		EN/DIN
1	Body	EN GJL 250 (GG 25)
2	Seat ring	Brass
3	Wedge	EN GJL 250 (GG 25)
4	Stem	13%Cr
5	Gasket	Asbestos free
6	Bonnet	EN GJL 250 (GG 25)
7	Packing	Asbestos free
8	Studs	Gr. 5-8
9	Yoke sleeve	Brass
10	Handwheel	EN-GLJ-250 (GG25)
11	Nuts	Gr. 8
Face to face PN6, 10 (flat body)		DIN 3202 – F4
Flange dimensions		DIN 2501 part 1.

DIMENSIONS TABLE

DN	S14 111 606 – F4									S35 111 610 – F4									
	L	H	H1	d1	d2	nxd3	b	D	Wg	L	H	H1	d1	d2	nxd3	b	D	Wg	
mm									kg	mm									kg
40	140	280	334	130	100	4x14	16	140	10	140	280	334	150	110	4x18	18	140	10	
50	150	295	355	140	110	4x14	16	140	13,5	150	295	355	165	125	4x18	20	140	13,5	
65	170	355	435	160	130	4x14	16	180	19,5	170	355	435	185	145	4x18	20	180	19,5	
80	180	390	482	190	150	4x18	18	180	24,5	180	390	482	200	160	8x18	22	180	24,5	
100	190	430	546	210	170	4x18	18	200	30,5	190	430	546	220	180	8x18	24	200	30,5	
125	200	570	725	240	200	8x18	20	200	44	200	570	725	250	210	8x18	26	200	44	
150	210	600	770	265	225	8x18	20	200	58	210	600	770	285	240	8x22	26	200	58	
200	230	725	940	320	280	8x18	22	250	87	230	725	940	340	295	8x22	26	250	87	
250	250	840	1100	375	335	12x18	24	250	160	250	840	1100	395	350	12x22	28	250	160	
300	270	910	1220	440	395	12x22	24	300	170	270	910	1220	445	400	12x22	28	300	170	