

BUTTERFLY VALVES		Nominal inside diameter													
Registration number	Name	15	20	25	32	40	50	65	80	100	125	150	200	250	300
		L30 171 616	Butterfly valve with hand lever						X	X	X	X	X	X	X
L30 172 616	Butterfly valve with hand operated gear						X	X	X	X	X	X	X		
L30 175 616	Butterfly valve with connection for actuator						X	X	X	X	X	X	X		
L30 174 616	Butterfly valve with pneumatic actuator						X	X	X	X	X	X	X		
L30 173 616	Butterfly valve with electric actuator						X	X	X	X	X	X	X		
L33 171 116	Butterfly valve with eyes and hand lever					X	X	X	X	X	X	X	X		
L33 172 116	Butterfly valve with eyes and hand operated gear					X	X	X	X	X	X	X	X	X	X
L33 175 116	Butterfly valve with eyes and connection for actuator					X	X	X	X	X	X	X	X	X	X
L33 174 116	Butterfly valve with eyes and pneumatic actuator					X	X	X	X	X	X	X	X	X	X
L33 173 116	Butterfly valves with eyes and electric actuator					X	X	X	X	X	X	X	X	X	X
L35 171 116	Butterfly valve threaded with hand lever						X	X	X	X	X	X	X		
L35 172 116	Butterfly valve threaded with hand operated gear						X	X	X	X	X	X	X	X	X
L35 175 116	Butterfly valve threaded with connection for actuator						X	X	X	X	X	X	X	X	X
L35 174 116	Butterfly valve threaded with pneumatic actuator						X	X	X	X	X	X	X	X	X
L35 173 116	Butterfly valve threaded with electric actuator						X	X	X	X	X	X	X	X	X

REGISTRATION NUMBER SCHEME

L30 171 616.21

BUTTERFLY VALVE TYPE

- L30 - smooth
- L33 - with eyes
- L35 - threaded

SIGN OF FLOW DIRECTION

- 1 - straight

SIGN OF CONNECTION TYPE

- 7 - bezpřírubové

SIGN OF CONTROL DEVICE

- 1 - hand lever
- 2 - hand gearbox
- 3 - electric actuator
- 4 - pneumatic actuator
- 5 - arranged for actuators

BOARD (PLATE)

- 1 - brass
- 2 - stainless

PACKING

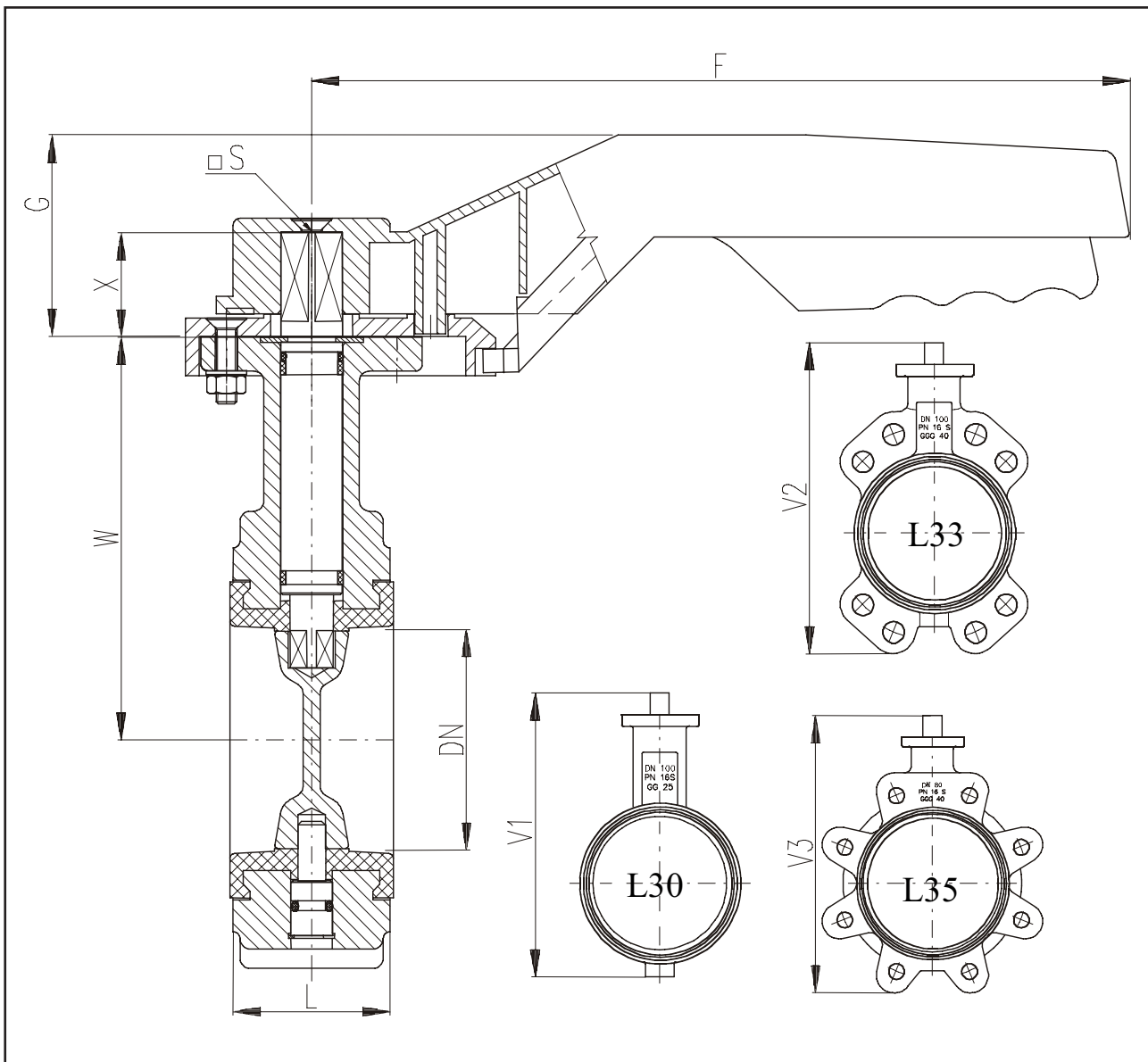
- 1 - NBR
- 2 - EPDM
- 4 - FKM
- 5 - VMQ
- 6 - CSM

NOMINAL PRESSURE PN

SIGN OF BODY MATERIAL

- 1 - nodular cast iron
- 6 - grey cast iron

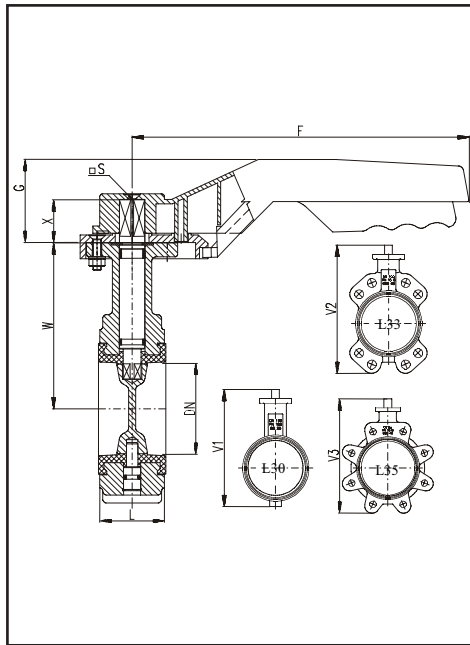
BUTTERFLY VALVE



DIMENSION TABLE

DN	L	W	X	V1	V2	V3	G	S	F
40	33	104	30,5		191,5		59	14	240
50	43	110	30,5	192,5	203	200,5	59	14	240
65	46	118,5	30,5	210,5	218,5	216,5	59	14	240
80	46	129	30,5	228,5	252	249,5	59	14	240
100	52	141	30,5	251,5	273	271,5	59	14	240
125	56	153,5	30,5	276,5	299,5	297	59	14	240
150	56	170	31	310	334	334	59,5	17	340
200	60	195	31	362	389	400,5	59,5	17	340
250	68	250	35	-	481	481	-	19	-
300	78	300	35	-	558	558	-	19	-

BUTTERFLY VALVE



APPLICATION

Shut-off and regulating butterfly valves have a wide use in chemistry, food industry, energetics (power engineering), petrochemistry, gas manufacture, air conditioning, agriculture and the like. Their advantage is a low mass, a short building length, easy mounting, minimum costs for maintenance. The butterfly valves make possible the transportation of gases, fluids and even loose materials. Body variants allow different connection methods. All the butterfly valves have a flange for the control connection according to the DIN/ISO 5211.

Control possibilities are:

- Hand lever
- Electric actuator
- Hand gear
- Pneumatic actuator

A medium and a temperature are given by the packing used.

PN

Fluids: DN 40÷150 = PN 16
DN 200÷300 = PN10
Gases: DN 40÷300 = PN 6

TYPES / DN / PN / TEMPERATURES

L30 171 ÷ 175 616	DN50÷200	PN16	0 °C to 180 °C
L33 171 116	DN40÷200	PN16	-10 °C to 180 °C
L35 171 116	DN50÷200	PN16	-10 °C to 180 °C
L33 172 ÷ 175 116	DN40÷300	PN16	-10 °C to 180 °C
L35 172 ÷ 175 116	DN50÷300	PN16	-10 °C to 180 °C

MATERIAL

Packings:

Packing material		Temperature range	Application
NBR	Nitrile	-10 ÷ 125°C	Heating gases, air, mineral and vegetable oils, petroleum products, sea water, abrasives
EPDM	Ethyl-propylene	-10 ÷ 125°C	Cold, warm and drinking water, food industry, air, alcohols, glycols, acetone, weak acids and lyes
FKM	Viton	-10 ÷ 200°C	Petrochemistry, solvents, acids, oxidants
VMQ	Silicone	-10 ÷ 150°C	Hot water, air, food industry
CSM	Hypalon	-10 ÷ 100°C	Strong acids

Plate:

Plate material	Application
42 3223 (brass)	Non-aggressive media
42 2931 (stainless)	Aggressive media

Body:

Body – type	Material
L30	GG25
L33	GGG40
L35	GGG40